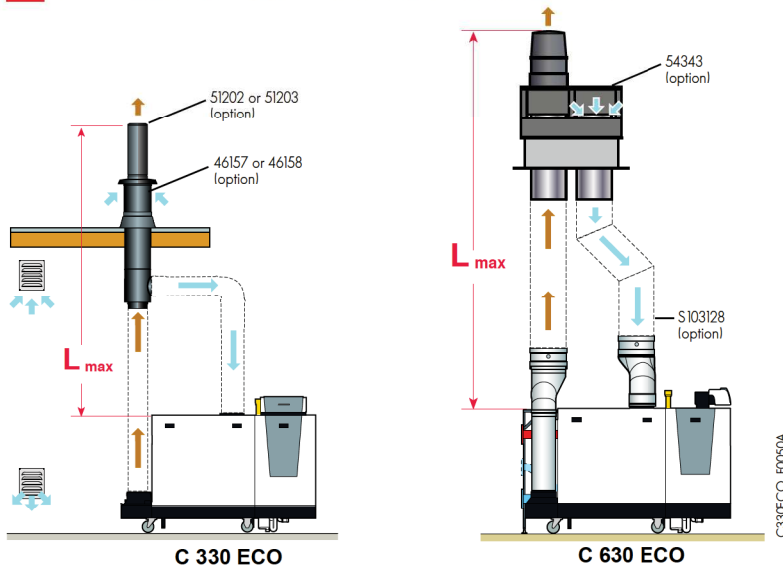


C 330 ECO/C 630 ECO

2 CONFIGURATION C₃₃ - CONCENTRIC VERTICAL FORCED FLUE



Boiler types C 330... ECO	L _{max} (m) (I)		
	Ø 200 mm	Ø 250 mm	Ø 300 mm
280	42	50	50
350	21	50	50
430	13	50	50
500	10	50	50
570	5	34	50
650	4	50	50

Boiler types C 630... ECO	L _{max} (m) (I)		
	Ø 300 mm	Ø 350 mm	Ø 400 mm
560	50	50	50
700	43	50	50
860	26	50	50
1000	13	35	50
1140	5	16	24
1300	-	10	12

Nota: length also applicable in configuration C₉₃
 (I) Calculated with rigid pipe and outlet without flashing

⇒ Flue systems accessories available

• C 330 ECO

Vertical forced flue in Alu/Galvanized steel (24)

	A	B	C	D	E
51202	200	200	1680	2350	400
51203	250	250	1685	2500	530

Ø 200/300 mm	Ref.
-	51202
Ø 250/350 mm	Ref.
-	51203

Adapter Ø 250 to Ø 200 mm

	Ref.
-	S103179

Flashing for flat roof (27)

	F	G
46157	640	318
46158	690	368

Ø 300 mm	Ref.
-	46157
Ø 350 mm	Ref.
-	46158

Adapter flue gas for replacement C 310 ECO for C 330 ECO

	Ref.
-	S103178

Flue gas collector for 2 x C 330 ECO

	Ref.
-	S103118

Air inlet collector for 2 x C 330 ECO

	Ref.
-	S103128

• C 630 ECO

Vertical forced flue Alu (24)

Ø 2x350 mm	Ref.
-	54443

Air inlet collector Alu (48)

Ø 2x250 to 350 mm	Ref.
-	S103128