



# EUB-Series

2HP~30HP 50 Hz



Construction  
Dewatering  
Pumps



Evak Pump Technology Corp.  
No. 551, Zhongshan Rd., Qingshui Township,  
Taichung County 436, Taiwan.  
Tel : +886-426-233556  
Fax: +886-426-235559  
www.evak-pumps.com

# EUB-5.20~300 50HZ Construction Dewatering Pumps



EUB-5.20~30    EUB-5.50~75    EUB-5.100~150

### Applications

Residential, commercial, industrial dewatering and site drainage, Construction sites and civil engineering projects

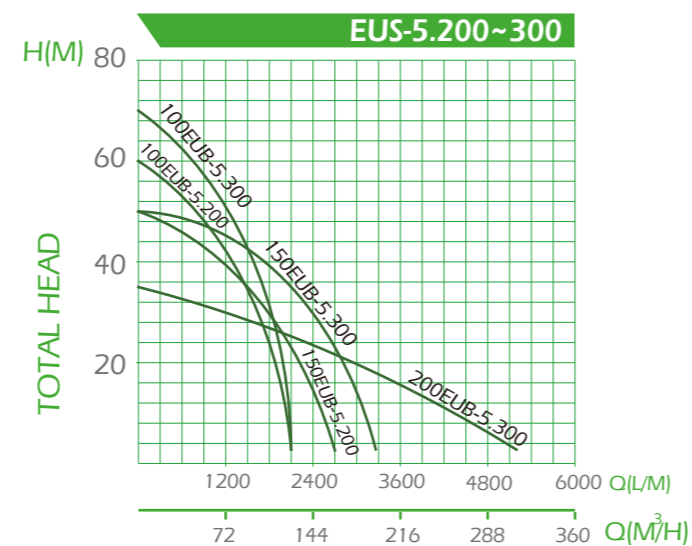
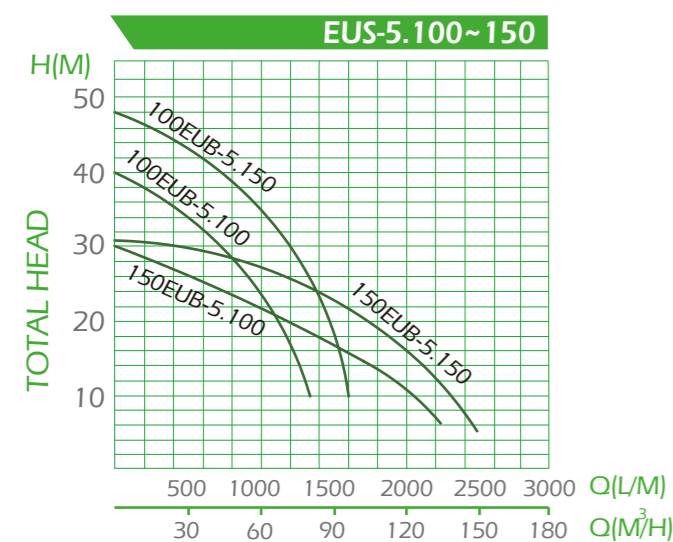
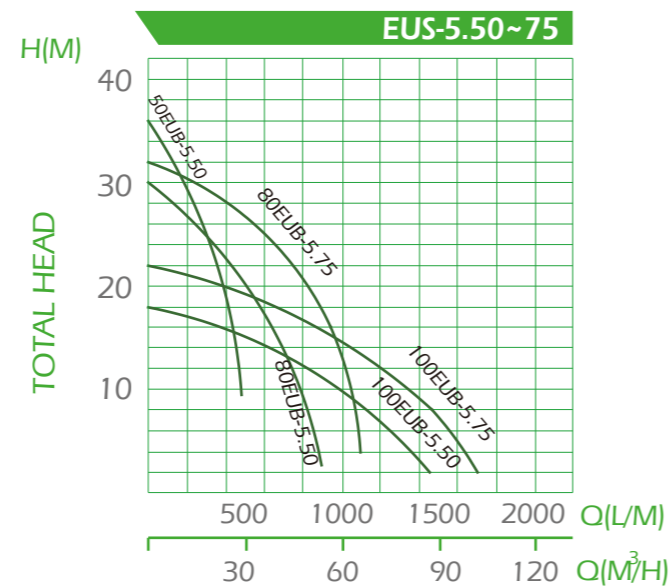
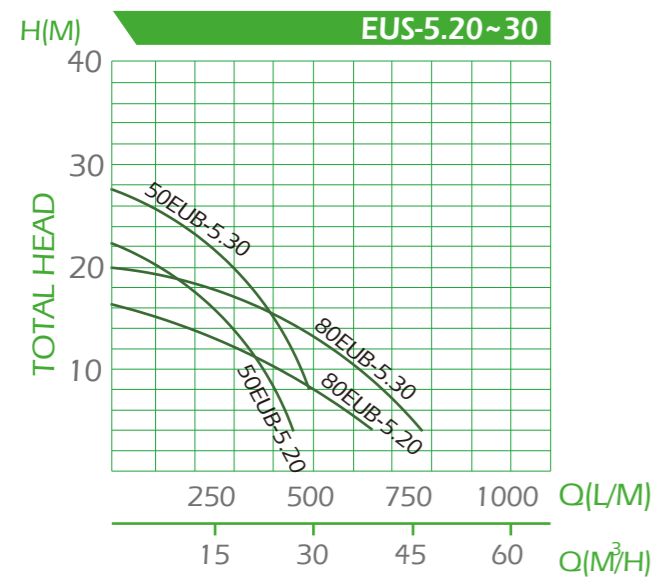
### Feature

- > High abrasive resistance resin Vortex impeller
- > Stainless steel outer case & strainer
- > SST 410 motor shaft
- > Double mechanical seal
- > High cooling effect & long-lasting running

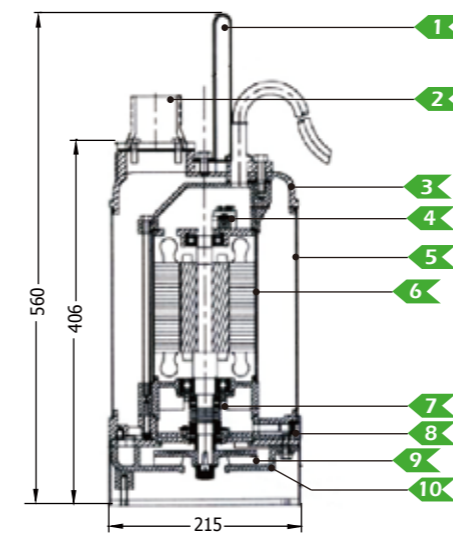
### Sectional drawing

MODEL	Output		Discharge		Rated		Maximum		Soild Pass mm	Weight Kg
	HP	KW	Inch	mm	Head M	Capacity LPM	Max Head M	Max Capacity LPM		
50EUB-5.20	2	1.5	2"	50	15	250	22	450	9	34
80EUB-5.20	2	1.5	3"	80	8	500	16	650	9	34
50EUB-5.30	3	2.2	2"	50	20	300	27	500	9	36
80EUB-5.30	3	2.2	3"	80	10	600	20	800	9	36
50EUB-5.50	5	3.7	2"	50	30	200	36	500	11	45
80EUB-5.50	5	3.7	3"	80	20	500	30	900	11	45
100EUB-5.50	5	3.7	4"	100	10	1000	18	1500	11	45
80EUB-5.75	7.5	5.5	3"	80	25	600	32	1200	11	50
100EUB-5.75	7.5	5.5	4"	100	15	1000	22	1700	11	50
100EUB-5.100	10	7.5	4"	100	30	800	42	1600	15	86
150EUB-5.100	10	7.5	6"	150	15	1600	31	2200	15	86
100EUB-5.150	15	11	4"	100	35	1000	51	1700	15	93
150EUB-5.150	15	11	6"	150	20	1700	32	2500	15	93
100EUB-5.200	20	15	4"	100	45	1000	60	2000	15	141
150EUB-5.200	20	15	6"	150	35	1500	50	2500	15	142
100EUB-5.300	30	22.5	4"	100	60	1000	70	2000	15	256
150EUB-5.300	30	22.5	6"	150	35	2000	50	3200	20	259
200EUB-5.300	30	22.5	8"	200	20	2900	35	5200	20	264

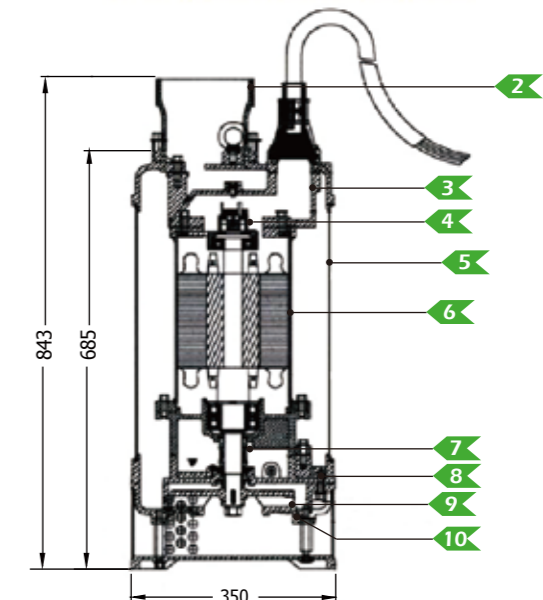
Without cable weight



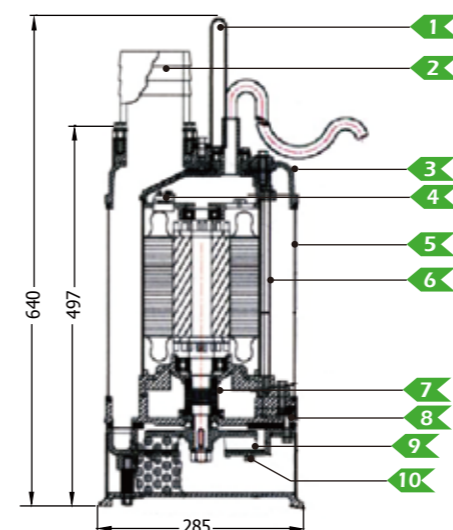
### Dimensions & Parts Description



EUB-5.20~30



EUB-5.100~150



EUB-5.50~75

Index	Description	Construction Material
1	Handle	Steel
2	Discharge outlet	Cast iron FC-200
3	Top cover	Cast iron FC-200
4	Protector	
5	Outer case	Steel
6	Motor case	SUS-304
7	Mech. Seal	CA/CE+SIC/SIC
8	Volute	Cast iron FC-200
9	Impeller	High Chrome Steel
10	Inlet plate	Cast iron FC-200