

SEALING CHAIN

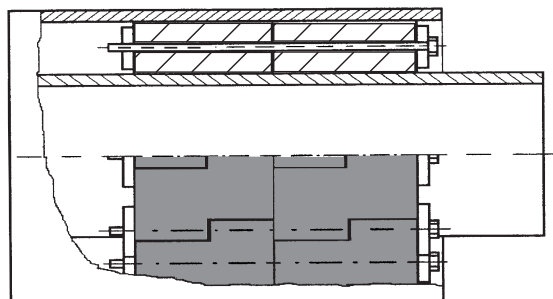
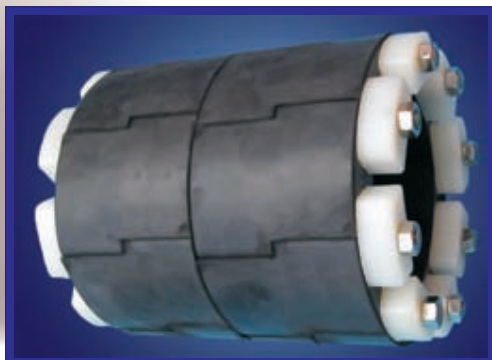


SEALING CHAIN

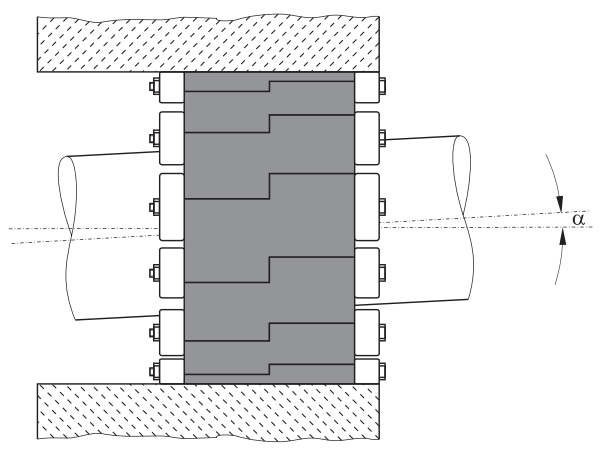
It is possible to seal pipes that have 40 mm and greater outer diameter by using sealing chains. You can seal pipes made of steel, cast iron, plastics and concrete.

LU sealing chains provide tightness up to 2.5 bar.

We recommended to use double chain marked 2LU for pressure 2.5 – 5 bar.



This is serial connection of two sealing chains by using double length bolts.



To provide 100% tightness, maximum angular deviation of the pipeline centre from the opening centre (see the picture) cannot exceed 1.25 °.

How to install:



Encircle pipe with the sealing chain and connect both ends.



Move the chain into the casing pipe (or opening) so that it is entirely inside.



Evenly screw bolts. Sealing chain elements secure space between carrier pipe and casing pipe.

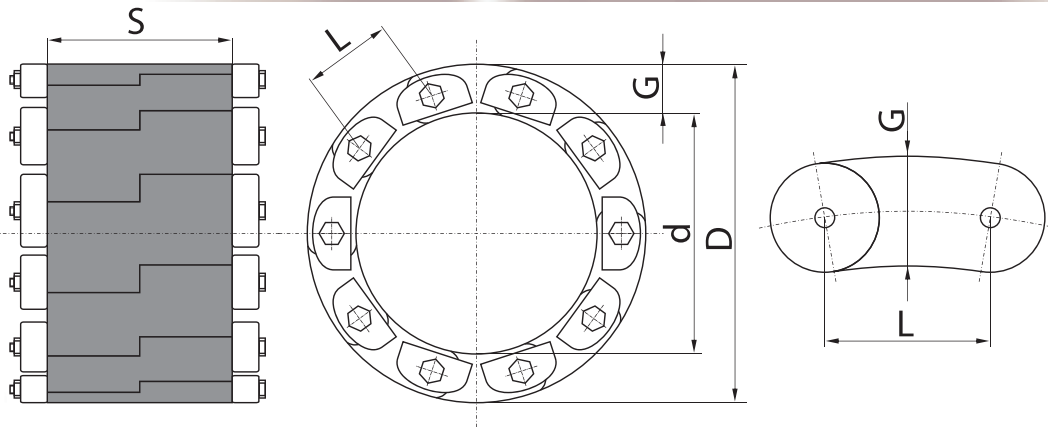
Sealing chains work great with casing pipe and opening made directly in the concrete wall.



Example of choosing sealing chain:

- Inner diameter of casing pipe: $D = 400 \text{ mm}$
 Outer diameter of carrier pipe with possible insulation: $d = 315 \text{ mm}$
 Size of opening to be sealed: $W = 85 \text{ mm}$
- Basing on the size to be sealed a certain model of the sealing chain is to be selected form below table (column 2). For $W = 85 \text{ mm}$ model of chain should be LU-6.
- Overall length of sealing:

$$\frac{400 + 315}{2} \times 3.14 = 1122.55 \text{ mm.}$$
- Defining the number of links:
 $1122.55 : 68 = 16.508 \text{ pcs.}$
 where 68 mm is the length of link form the table - column 3 (for chain LU6).
- The number of links should be expressed in integers (whole numbers). That's why the number form item 4 has to be made even. We accept the principle that for decimal values less than 0.5 has to be made even downwards and upward for greater than 0.5. In case above the number of needed links is 17.



Selection table of sealing chain.

1 Type	2 W size to seal (the difference between hole diameter and pipe diameter)	3 L length of link [mm]	4 G thickness of link [mm]	5 S width of link [mm]	6 Bolt size	
					version conventional	version BIS
LU-1	26 - 33	30	13	44	M5 x 60	---
LU-2	32 - 41	35	16	44	M5 x 60	---
LU-3	40 - 51	40	20	63	M8 x 90	---
LU-4	50 - 63	48	25	72	M8 x 110	---
LU-5	62 - 77	56	31	88	M10 x 120	M10 x 140
LU-6	76 - 93	68	38	88	M10 x 120	M10 x 140
LU-7	92 - 113	82	46	90	M10 x 120	M10 x 150
LU-8	112 - 133	99	56	98	M12 x 130	M12 x 170
LU-9	132 - 157	104	66	98	M12 x 140	M12 x 170
LU-10	156 - 181	104	78	106	M12 x 150	M12 x 190
LU-11	180 - 206	114	90	110	M12 x 150	M12 x 190