



BSV

GLASSLINED CYLINDERS WITH FIXED HEAT EXCHANGER FOR SANITARY HOT WATER

149 - 1.915 litres

INTERNAL GLASSLINING:

DIN 4753 | The glasslining treatment makes the cylinder suitable to contain hot water for sanitary use and resistant to corrosive phenomena. The glasslining treatment makes the cylinder suitable to contain hot water for sanitary use and resistant to corrosive phenomena.

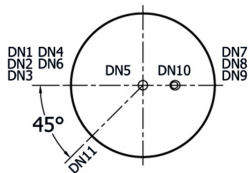
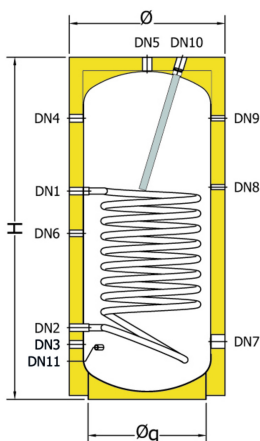
INSTALLATIONS

- traditional boilers (wall-hung and/or floor-standing)
- condensing boilers
- solar thermal systems

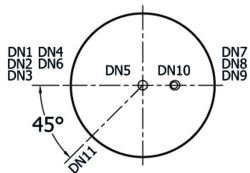
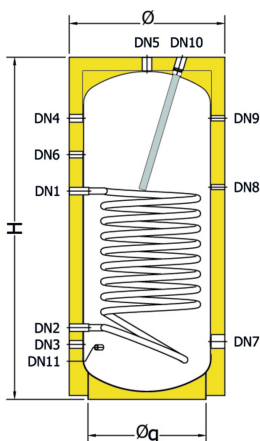
CHARACTERISTICS

MAX TEMPERATURE	95 °C	MAX PRESSURE (mod. 150 - 1000)	10 bar
EXCHANGER MAX TEMPERATURE	110 °C	MAX PRESSURE (mod. 1500 - 2000)	6 bar
		EXCHANGER MAX PRESSURE	12 bar

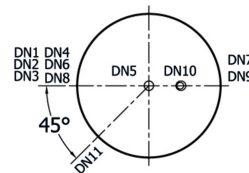
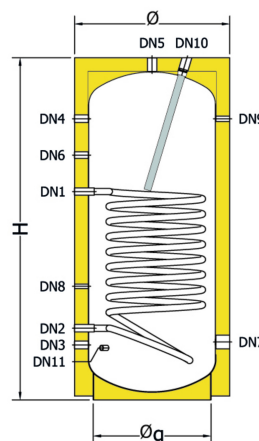
BSV 150



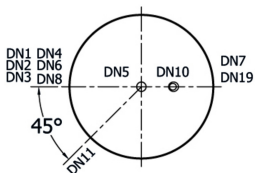
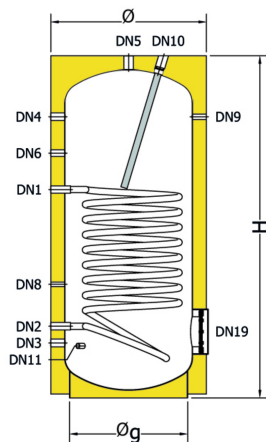
BSV 200 - 500



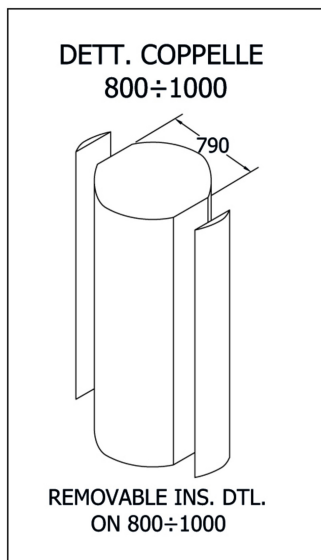
BSV 800 - 1000



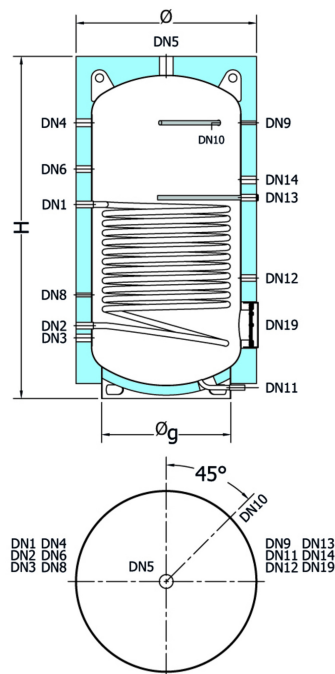
BSV 800 - 1000 + FL



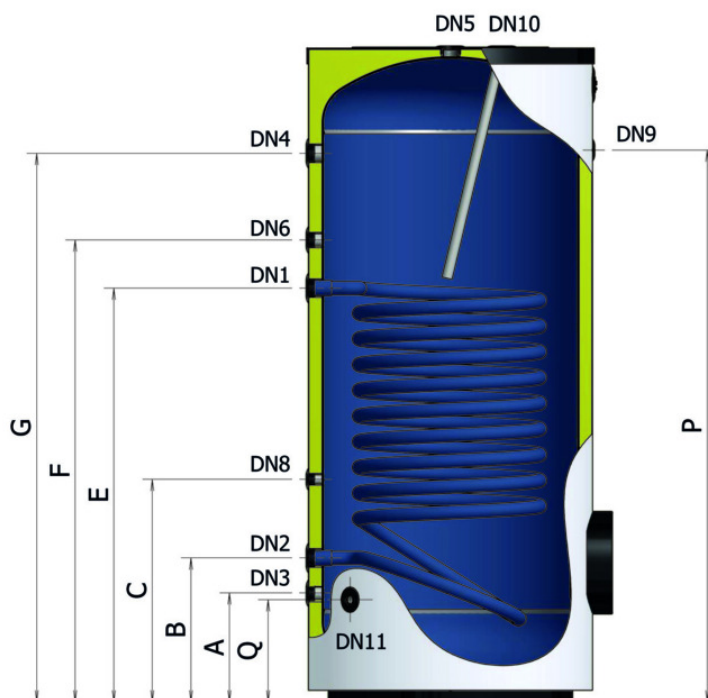
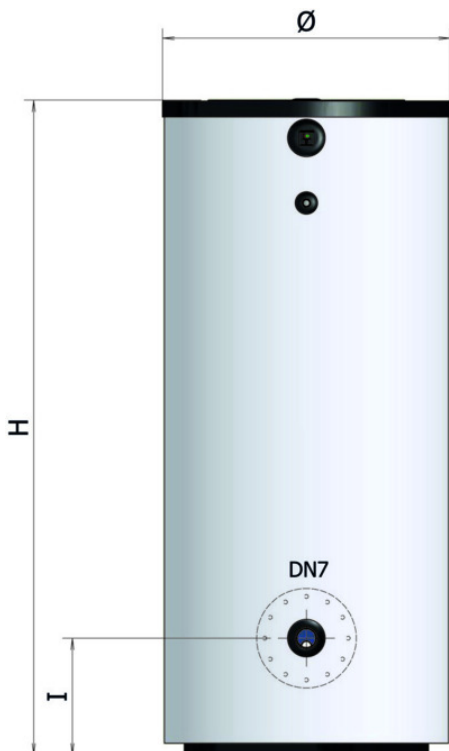
BSV 800 - 1000 CUPS



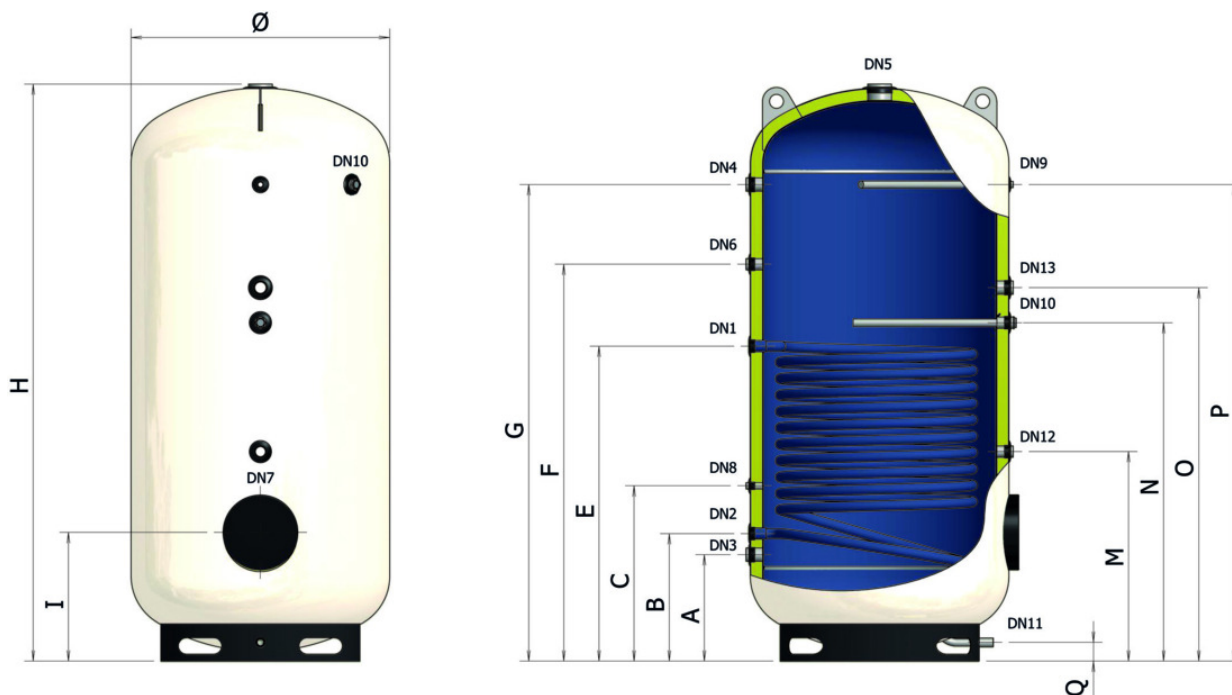
BSV 1500 - 2000



BSV 800 - 1000 EXP



BSV 1500 - 2000 EXP



Keyword

DN	Description
DN1	Flow to heat exchanger
DN2	Flow from heat exchanger
DN3	Mains water supply
DN4	DHW draw-off
DN5	DHW draw-off
DN6	Recirculation
DN7	Predisposition for immersion heater
DN8	Thermostat
DN9	Thermometer
DN10	Magnesium anode
DN11	Drain
DN12	Sanitary water expansion tank
DN13	Magnesium anode
DN14	Predisposition for immersion heater
DN19	Inspection hatch

Model	Code	Energy label	St. loss W	Capacity L	EXCHANGER		H mm	Ø skirt mm	Ø mm	Pm mm
					m ²	l				
BSV-150	A3A0L43 PGP55	B	52	148	0.6	5	980	460	610	1160
BSV-200	A3A0L47 PGP55	B	56	189	0.7	6	1200	460	610	1350
BSV-300	A3A0L51 PGP75	B	66	273	1.2	9	1670	460	650	1800
BSV-500	A3A0L55 PGP55	C	91	483	1.45	11	1735	600	760	1900
BSV-800	A3A0L60 PGP75	C	127	728	2	19	1815	760	940	2050
BSV-1000	A3A0L62 PGP75	C	135	843	2.4	25	2065	760	940	2270
BSV-800 + FI	A3A1L60 PGP75	C	130	730	2	19	1815	760	940	2050
BSV-1000 + FI	A3A1L62 PGP75	C	140	845	2.4	25	2065	760	940	2270
BSV-1500 + FI	A3A1H67 VW4A5	C	163	1609	3.6	36	2530	850	1270	2840
BSV-2000 + FI	A3A1H70 VW4A5	C	174	1906	4.3	48	2510	950	1370	2860
BSV-800 EXP	A3A0L60 PGP45			766	2	19	1800	760	900	2015
BSV-1000 EXP	A3A0L62 PGP45			891	2.4	25	2050	760	900	2240
BSV-800 + FI EXP	A3A1L60 SWS50			770			1800	760	900	2015
BSV-1000 + FI EXP	A3A1L62 SWS50			895			2050	760	900	2240
BSV-1500 + FI EXP	A3A1H67 VW050			1605			2465	850	1100	2700
BSV-2000 + FI EXP	A3A1H70 VW050			1910			2445	950	1200	2725

FI: Flange Version | Pm: pivot measurement

Connection heights (mm)

MODEL	DN1	DN2	DN3	DN4	DN5	DN6	DN7	DN8	DN9	DN10	DN11	DN12	DN13	DN14	DN19
BSV-150	585	305	225	720	-	490	255	470	690	-	225	-	-	-	-
BSV-200	675	325	240	940	-	770	280	790	940	-	225	-	-	-	-
BSV-300	920	320	235	1385	-	1095	275	940	1385	-	220	-	-	-	-
BSV-500	1060	365	280	1430	-	1245	295	1080	1430	-	265	-	-	-	-
BSV-800	1110	430	320	1450	-	1230	345	690	1450	-	300	-	-	-	-
BSV-1000	1270	430	320	1690	-	1420	345	675	1700	-	300	-	-	-	-
BSV-800 + FI	1110	430	320	1450	-	1230	-	690	1450	-	300	-	-	-	415
BSV-1000 + FI	1270	430	320	1690	-	1420	-	675	1700	-	300	-	-	-	415
BSV-1500 + FI	1345	545	455	2035	-	1695	-	760	2035	2035	80	895	1445	1595	550
BSV-2000 + FI	1425	535	445	2025	-	1685	-	760	2025	2025	80	885	1475	1605	540
BSV-800 EXP	1130	450	340	1470	-	1250	365	690	1470	-	320	-	-	-	-
BSV-1000 EXP	1290	450	340	1710	-	1440	365	695	1720	-	320	-	-	-	-
BSV-800 + FI EXP	1130	450	340	1470	-	1250	-	690	1470	-	320	-	-	-	435
BSV-1000 + FI EXP	1290	450	340	1710	-	1440	-	695	1720	-	320	-	-	-	435
BSV-1500 + FI EXP	1345	545	455	2035	-	1695	-	760	2035	2035	80	895	1445	1595	550
BSV-2000 + FI EXP	1425	535	445	2025	-	1685	-	760	2025	2025	80	885	1475	1605	540

Connection sizes

MODEL	DN1	DN2	DN3	DN4	DN5	DN6	DN7	DN8	DN9	DN10	DN11	DN12	DN13	DN14	DN19
BSV-150	G1"	G1"	G1"	G1"	G1.1/4"	G3/4"	G2"	G1/2"	G1/2"	G1.1/4"	G1/2"	-	-	-	-
BSV-200	G1"	G1"	G1"	G1"	G1.1/4"	G3/4"	G2"	G1/2"	G1/2"	G1.1/4"	G1/2"	-	-	-	-
BSV-300	G1"	G1"	G1"	G1"	G1.1/4"	G3/4"	G2"	G1/2"	G1/2"	G1.1/4"	G1/2"	-	-	-	-
BSV-500	G1"	G1"	G1"	G1"	G1.1/4"	G3/4"	G2"	G1/2"	G1/2"	G1.1/4"	G1/2"	-	-	-	-
BSV-800	G1.1/4"	G1.1/4"	G1"	G1.1/4"	G1.1/4"	G1"	G2"	G1/2"	G1/2"	G1.1/4"	G3/4"	-	-	-	-
BSV-1000	G1.1/4"	G1.1/4"	G1"	G1.1/4"	G1.1/4"	G1"	G2"	G1/2"	G1/2"	G1.1/4"	G3/4"	-	-	-	-
BSV-800 + FI	G1.1/4"	G1.1/4"	G1"	G1.1/4"	G1.1/4"	G1"	-	G1/2"	G1/2"	G1.1/4"	G3/4"	-	-	-	Ø, 220
BSV-1000 + FI	G1.1/4"	G1.1/4"	G1"	G1.1/4"	G1.1/4"	G1"	-	G1/2"	G1/2"	G1.1/4"	G3/4"	-	-	-	Ø, 220
BSV-1500 + FI	G1.1/4"	G1.1/4"	G1.1/2"	G1.1/2"	G3"	G1.1/4"	-	G1/2"	G1/2"	G1.1/4"	G1"	G1.1/4"	G1.1/2"	G1.1/4"	Ø, 220
BSV-2000 + FI	G1.1/4"	G1.1/4"	G1.1/2"	G1.1/2"	G3"	G1.1/4"	-	G1/2"	G1/2"	G1.1/4"	G1"	G1.1/4"	G1.1/2"	G1.1/4"	Ø, 220
BSV-800 EXP	G1.1/4"	G1.1/4"	G1"	G1.1/4"	G1.1/4"	G1"	G2"	G1/2"	G1/2"	G1.1/4"	G3/4"	-	-	-	-
BSV-1000 EXP	G1.1/4"	G1.1/4"	G1"	G1.1/4"	G1.1/4"	G1"	G2"	G1/2"	G1/2"	G1.1/4"	G3/4"	-	-	-	-
BSV-800 + FI EXP	G1.1/4"	G1.1/4"	G1"	G1.1/4"	G1.1/4"	G1"	-	G1/2"	G1/2"	G1.1/4"	G3/4"	-	-	-	Ø, 220
BSV-1000 + FI EXP	G1.1/4"	G1.1/4"	G1"	G1.1/4"	G1.1/4"	G1"	-	G1/2"	G1/2"	G1.1/4"	G3/4"	-	-	-	Ø, 220
BSV-1500 + FI EXP	G1.1/4"	G1.1/4"	G1.1/2"	G1.1/2"	G3"	G1.1/4"	-	G1/2"	G1/2"	G1.1/4"	G1"	G1.1/4"	G1.1/2"	G1.1/4"	Ø, 220
BSV-2000 + FI EXP	G1.1/4"	G1.1/4"	G1.1/2"	G1.1/2"	G3"	G1.1/4"	-	G1/2"	G1/2"	G1.1/4"	G1"	G1.1/4"	G1.1/2"	G1.1/4"	Ø, 220

Protective devices

Model	Magnesium anode code	Nr. installed magnesium anode	Diam.Ø	Conn.	Length	Reccomended sanitary expansion tank(*)
BSV-150	8560040 00002	1	32	G1.1/4"	320	DP-8
BSV-200	8560040 00002	1	32	G1.1/4"	320	DP-11
BSV-300	8560060 00002	1	32	G1.1/4"	520	DP-18
BSV-500	8560080 00002	1	32	G1.1/4"	700	DP-24
BSV-800	8560080 00002	1	32	G1.1/4"	700	DP-35
BSV-1000	8560080 00002	1	32	G1.1/4"	700	DPV-50
BSV-800 + FI	8560080 00002	1	32	G1.1/4"	700	DP-35
BSV-1000 + FI	8560080 00002	1	32	G1.1/4"	700	DPV-50
BSV-1500 + FI	8560080 00002	2	32	G1.1/4"	700	DPV-80
BSV-2000 + FI	8560080 00002	2	32	G1.1/4"	700	DPV-100

Insulation characteristics

Model	Insulation type	Thickness (mm)	Finish
BSV-150	Rigid expanded polyurethane with 95% closed cells, CFC and HCFC free, fire resistance class B2 acc. to DIN 4102-1	55	Grey polystyrene RAL 9006
BSV-200	Rigid expanded polyurethane with 95% closed cells, CFC and HCFC free, fire resistance class B2 acc. to DIN 4102-1	55	Grey polystyrene RAL 9006
BSV-300	Rigid expanded polyurethane with 95% closed cells, CFC and HCFC free, fire resistance class B2 acc. to DIN 4102-1	75	Grey polystyrene RAL 9006
BSV-500	Rigid expanded polyurethane with 95% closed cells, CFC and HCFC free, fire resistance class B2 acc. to DIN 4102-1	55	Grey polystyrene RAL 9006
BSV-800	Rigid expanded polyurethane with 95% closed cells, CFC and HCFC free, fire resistance class B2 acc. to DIN 4102-1	75	Grey PVC RAL 9006
BSV-1000	Rigid expanded polyurethane with 95% closed cells, CFC and HCFC free, fire resistance class B2 acc. to DIN 4102-1	75	Grey PVC RAL 9006
BSV-800 + FI	Rigid expanded polyurethane with 95% closed cells, CFC and HCFC free, fire resistance class B2 acc. to DIN 4102-1	75	Grey PVC RAL 9006
BSV-1000 + FI	Rigid expanded polyurethane with 95% closed cells, CFC and HCFC free, fire resistance class B2 acc. to DIN 4102-1	75	Grey PVC RAL 9006
BSV-1500 + FI	100% recyclable polyester fibre, fire resistance class B1 acc. to DIN 4102-1	135	Grey PVC RAL 9006
BSV-2000 + FI	100% recyclable polyester fibre, fire resistance class B1 acc. to DIN 4102-1	135	Grey PVC RAL 9006

Reference standards

CYLINDER: | Directive 2014/68/EU – ART. 4.3, with exemption from CE marking. EN 12897:2020 standard. Designed and built in accordance with the requirements of 2009/125/EC and Regulation 814/2013 (EU). Labeling in accordance with the requirements of 2017/1369/EU and Delegated Regulation 812/2013 (EU).

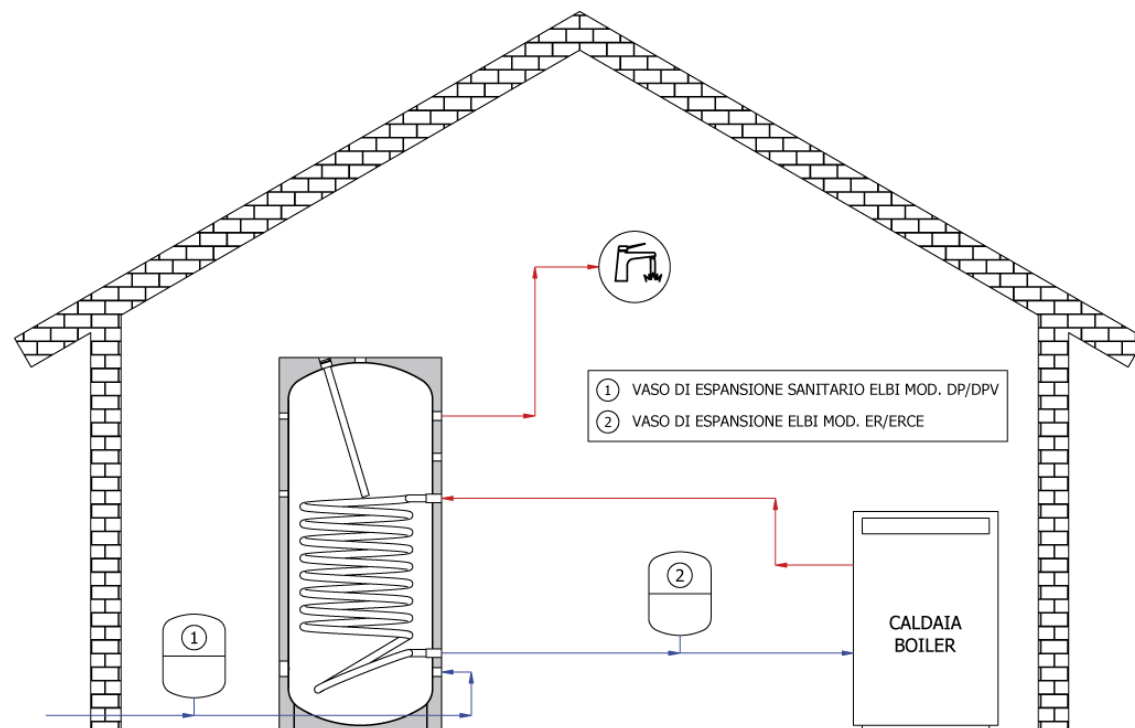
Warranty: 5 years

Immersion heaters

Code	Power	Source	Connection	Length	Applicable to									
					150	200	300	400	500	800	1000	1500	2000	
IMMERSION HEATERS WITHOUT THERMOSTAT														
8601000	1	220	G1.1/4"	295	✓	✓	✓	✓	✓	✓	✓	✓	✓	✓
8601650	1.65	220	G1.1/4"	450	✓	✓	✓	✓	✓	✓	✓	✓	✓	✓
8602000	2	220	G1.1/4"	515	✗	✗	✗	✓	✓	✓	✓	✓	✓	✓
8602600	2.6	220	G1.1/4"	675	✗	✗	✗	✗	✗	✓	✓	✓	✓	✓
8602601	2.6	220	G1.1/4"	360	✓	✓	✓	✓	✓	✓	✓	✓	✓	✓
8603300	3.3	220	G1.1/4"	825	✗	✗	✗	✗	✗	✗	✗	✓	✓	✓
8603301	3.3	220	G1.1/4"	435	✓	✓	✓	✓	✓	✓	✓	✓	✓	✓
8604001	4	220	G1.1/4"	510	✗	✗	✗	✓	✓	✓	✓	✓	✓	✓
8705000	5	380	G1.1/2"	445	✓	✓	✓	✓	✓	✓	✓	✓	✓	✓
8706000	6	380	G1.1/2"	510	✗	✗	✗	✓	✓	✓	✓	✓	✓	✓
8708000	8	380	G1.1/2"	670	✗	✗	✗	✗	✗	✓	✓	✓	✓	✓
8710000	10	380	G1.1/2"	820	✗	✗	✗	✗	✗	✗	✗	✓	✓	✓
8712000	12	380	G1.1/2"	970	✗	✗	✗	✗	✗	✗	✗	✓	✓	✓
IMMERSION HEATERS WITH THERMOSTAT														
8T01500	1.5	230	G1.1/2"	320	✓	✓	✓	✓	✓	✓	✓	✓	✓	✓
8T02000	2	230	G1.1/2"	320	✓	✓	✓	✓	✓	✓	✓	✓	✓	✓
8T02200	2.2	230	G1.1/2"	320	✓	✓	✓	✓	✓	✓	✓	✓	✓	✓
8T02500	2.5	230	G1.1/2"	320	✓	✓	✓	✓	✓	✓	✓	✓	✓	✓
8T03000	3	230	G1.1/2"	320	✓	✓	✓	✓	✓	✓	✓	✓	✓	✓
8T04000	4	400	G1.1/2"	400	✓	✓	✓	✓	✓	✓	✓	✓	✓	✓
8T05000	5	400	G1.1/2"	500	✗	✗	✓	✓	✓	✓	✓	✓	✓	✓
8T06000	6	400	G1.1/2"	600	✗	✗	✗	✓	✓	✓	✓	✓	✓	✓
8T09000	9	400	G1.1/2"	700	✗	✗	✗	✗	✗	✓	✓	✓	✓	✓
8T12000	12	400	G1.1/2"	850	✗	✗	✗	✗	✗	✗	✗	✓	✓	✓

Example of installation

BSV



Illustrative diagram; always refer to a qualified technician for the realization of the systems.

Rev. date 07/07/2023