



BSP

GLASSLINED DHW CYLINDERS WITH FIXED EXCHANGER FOR HEAT PUMPS

146 - 877 litres

INTERNAL GLASSLINING:

DIN 4753 | The glasslining treatment makes the cylinder suitable to contain hot water for sanitary use and resistant to corrosive phenomena. The glasslining treatment makes the cylinder suitable to contain hot water for sanitary use and resistant to corrosive phenomena.

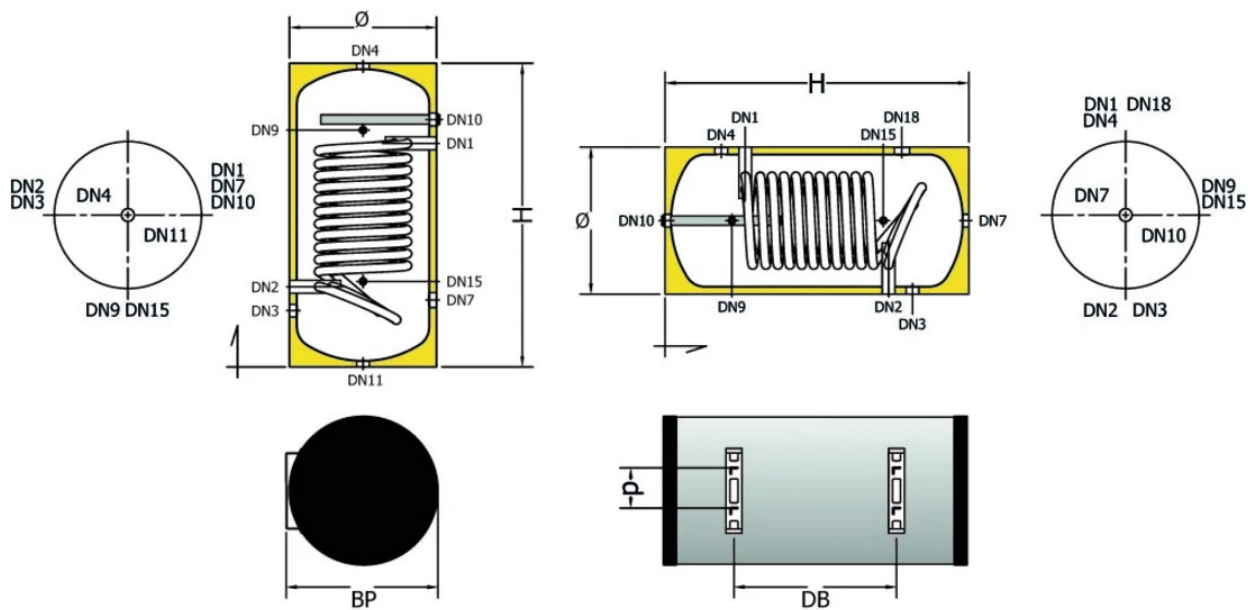
INSTALLATIONS

- heat pumps

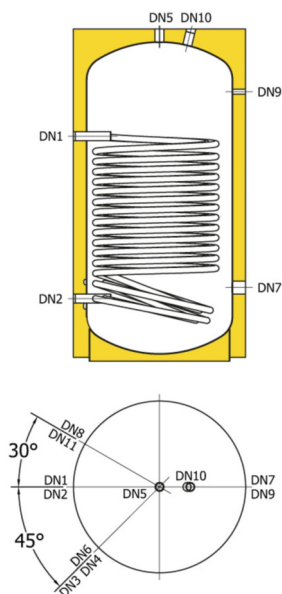
CHARACTERISTICS

MAX TEMPERATURE	95 °C	MAX PRESSURE	10 bar
EXCHANGER MAX TEMPERATURE	110 °C	EXCHANGER MAX PRESSURE	12 bar

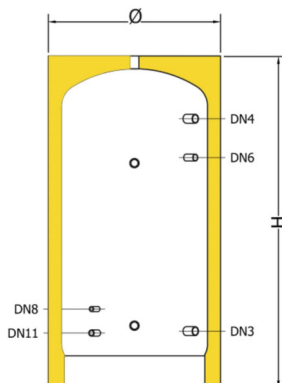
BSP - P PENSILI 150-200



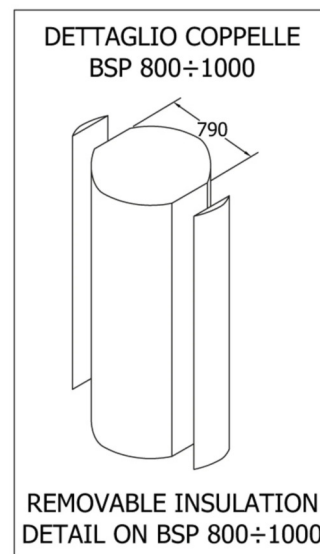
BSP 300-1000



BSP 300-1000



BSP 800 - 1000 CUPS



Keyword

DN	Description
DN1	Inlet from heat pump
DN2	Return to heat pump
DN3	Mains water supply
DN4	DHW draw-off
DN5	DHW draw-off
DN6	Recirculation
DN7	Predisposition for immersion heater
DN8	Thermostat
DN9	Thermometer
DN10	Magnesium anode
DN11	Drain
DN15	Probe
DN18	Auxiliary connection

Model	Code	Cl. Energ.	St. loss W	Capacity L	P _{MAX}	SCAMBIATORE		H mm	Ø skirt mm	Ø mm	Pm mm	DB mm	P mm	BP mm
						m ²	l							
BSP-P 150 *	A3TSL43 PGP55	B	52	146	10	1.2	6	1010		610		300	290	630
BSP-P 200 *	A3TSL47 PGP55	B	56	182	10	2.1	10	1230		610		570	290	630
BSP-300	A3T0L51 PGP75	B	65	261	10	3.4	21	1670	460	650	1800			
BSP-500	A3T0L55 PGP55	C	89	453	10	5.5	41	1735	600	760	1900			
BSP-800	A3T0L60 PGP75	C	128	702	10	6.2	45	1815	760	940	2050			
BSP-1000	A3T0L62 PGP75	C	133	823	10	6.2	45	2065	760	940	2270			

Pm: pivot measurement | * Wall-hung models
* Wall-mounted models

Connection heights (mm)

MODEL	DN1	DN2	DN3	DN3	DN4	DN7	DN9	DN9	DN10	DN11	DN15
	Vertical mounting										
BSP-P 150	665	345	-	255	-	285	715	-	755	-	355
BSP-P 200	895	335	-	255	-	285	935	-	975	-	345

MODEL	DN1	DN2	DN3	DN3	DN4	DN7	DN9	DN9	DN10	DN15	DN18
	Horizontal mounting										
BSP-P 150	345	665	-	755	255	-	295	-	-	655	725
BSP-P 200	335	895	-	975	255	-	295	-	-	885	945

MODEL	DN1	DN2	DN3	DN4	DN5	DN6	DN7	DN8	DN9	DN10	DN11
BSP-300	1325	265	235	1385	-	1095	325	370	1385	-	220
BSP-500	1355	310	280	1430	-	1140	370	400	1430	-	265
BSP-800	1220	340	310	1460	-	1250	400	430	1460	-	300
BSP-1000	1220	340	310	1710	-	1430	400	430	1710	-	300

Connection sizes

MODEL	DN1	DN2	DN3	DN3	DN4	DN7	DN9	DN9	DN10	DN11	DN15
	Vertical mounting										
BSP-P 150	G1"	G1"	-	G1.1/4"	G1.1/4"	G1.1/2"	G1/2"	-	G1.1/4"	G1.1/4"	G1/2"
BSP-P 200	G1"	G1"	-	G1.1/4"	G1.1/4"	G1.1/2"	G1/2"	-	G1.1/4"	G1.1/4"	G1/2"

MODEL	DN1	DN2	DN3	DN3	DN4	DN7	DN9	DN9	DN10	DN15	DN18
	Horizontal mounting										
BSP-P 150	G1"	G1"	-	G1.1/4"	G1.1/4"	G1.1/4"	G1/2"	-	G1.1/4"	G1/2"	G1.1/2"
BSP-P 200	G1"	G1"	-	G1.1/4"	G1.1/4"	G1.1/4"	G1/2"	-	G1.1/4"	G1/2"	G1.1/2"

MODEL	DN1	DN2	DN3	DN4	DN5	DN6	DN7	DN8	DN9	DN10	DN11
BSP-300	G1"	G1"	G1"	G1"	G1.1/4"	G3/4"	G2"	G1/2"	G1/2"	G1.1/4"	G1/2"
BSP-500	G1.1/4"	G1.1/4"	G1"	G1"	G1.1/4"	G3/4"	G2"	G1/2"	G1/2"	G1.1/4"	G1/2"
BSP-800	G1.1/4"	G1.1/4"	G1.1/4"	G1.1/4"	G1.1/4"	G1"	G2"	G1/2"	G1/2"	G1.1/4"	G3/4"
BSP-1000	G1.1/4"	G1.1/4"	G1.1/4"	G1.1/4"	G1.1/4"	G1"	G2"	G1/2"	G1/2"	G1.1/4"	G3/4"

Protective devices

Model	Code	Nr. installed magnesium anode	Diam.Ø	Conn.	Length	Reccomended sanitary expansion tank(*)
BSP-P 150	8560040 00002	1	32	G1.1/4"	320	DP-8
BSP-P 200	8560040 00002	1	32	G1.1/4"	320	DP-11
BSP-300	8560060 00002	1	32	G1.1/4"	520	DP-18
BSP-500	8560080 00002	1	32	G1.1/4"	700	DP-24
BSP-800	8560080 00002	1	32	G1.1/4"	700	DP-35
BSP-1000	8560080 00002	1	32	G1.1/4"	700	DPV-50

(*) The expansion tank must always be sized by an expert thermotechnical designer on the basis of the actual data

Insulation characteristics

Model	Insulation type	Insulation thickness (mm)	Finish
BSP-P 150	Rigid expanded polyurethane with 95% closed cells, CFC and HCFC free, fire resistance class B2 acc. to DIN 4102-1	55	Grey polystyrene RAL 9006
BSP-P 200	Rigid expanded polyurethane with 95% closed cells, CFC and HCFC free, fire resistance class B2 acc. to DIN 4102-1	55	Grey polystyrene RAL 9006
BSP-300	Rigid expanded polyurethane with 95% closed cells, CFC and HCFC free, fire resistance class B2 acc. to DIN 4102-1	75	Grey polystyrene RAL 9006
BSP-500	Rigid expanded polyurethane with 95% closed cells, CFC and HCFC free, fire resistance class B2 acc. to DIN 4102-1	55	Grey polystyrene RAL 9006
BSP-800	Rigid expanded polyurethane with 95% closed cells, CFC and HCFC free, fire resistance class B2 acc. to DIN 4102-1	75	Grey PVC RAL 9006
BSP-1000	Rigid expanded polyurethane with 95% closed cells, CFC and HCFC free, fire resistance class B2 acc. to DIN 4102-1	75	Grey PVC RAL 9006

Reference standards

CYLINDER: | Directive 2014/68/EU – ART. 4.3, with exemption from CE marking. EN 12897:2020 standard. Designed and built in accordance with the requirements of 2009/125/EC and Regulation 814/2013 (EU). Labeling in accordance with the requirements of 2017/1369/EU and Delegated Regulation 812/2013 (EU).

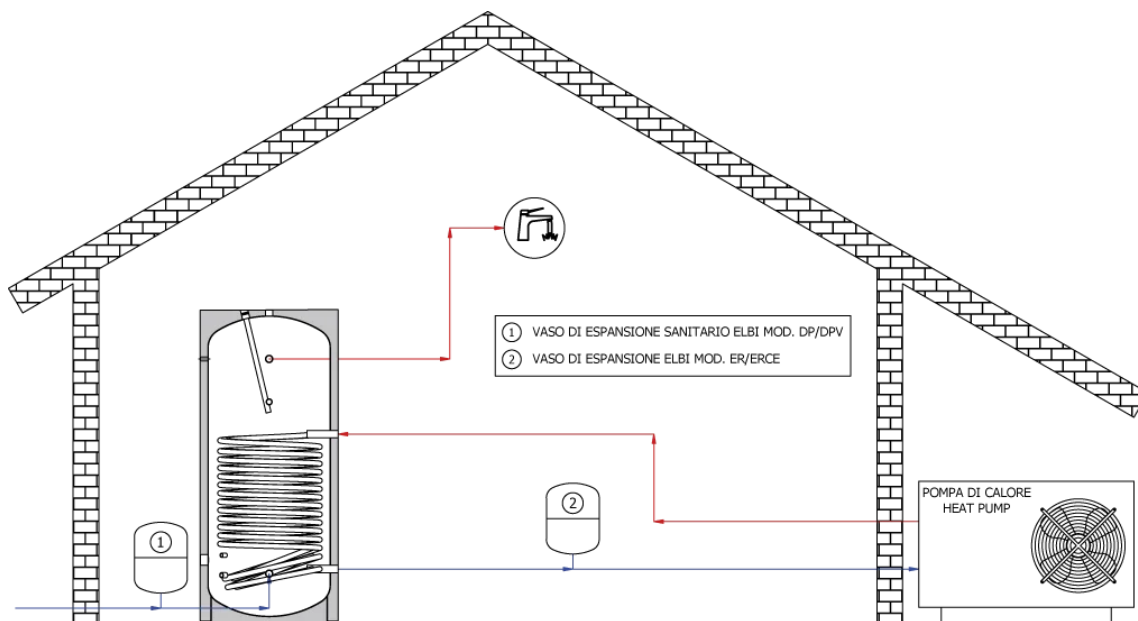
Warranty: 5 years

Immersion heaters

Codice	Potenza	Alimentazione	Attacco	Lunghezza	Applicabilità					
					150	200	300	500	800	1000
IMMERSION HEATERS WITHOUT THERMOSTAT										
8601000	1	220	G1.1/4"	295	✓	✓	✓	✓	✓	✓
8601650	1.65	220	G1.1/4"	450	✓	✓	✓	✓	✓	✓
8602000	2	220	G1.1/4"	515	✗	✗	✗	✓	✓	✓
8602600	2.6	220	G1.1/4"	675	✗	✗	✗	✗	✓	✓
8602601	2.6	220	G1.1/4"	360	✓	✓	✓	✓	✓	✓
8603301	3.3	220	G1.1/4"	435	✓	✓	✓	✓	✓	✓
8604001	4	220	G1.1/4"	510	✗	✗	✗	✓	✓	✓
8705000	5	380	G1.1/2"	445	✓	✓	✓	✓	✓	✓
8706000	6	380	G1.1/2"	510	✗	✗	✗	✓	✓	✓
8708000	8	380	G1.1/2"	670	✗	✗	✗	✗	✓	✓
IMMERSION HEATERS WITH THERMOSTAT										
8T01500	1.5	230	G1.1/2"	320	✓	✓	✓	✓	✓	✓
8T02000	2	230	G1.1/2"	320	✓	✓	✓	✓	✓	✓
8T02200	2.2	230	G1.1/2"	320	✓	✓	✓	✓	✓	✓
8T02500	2.5	230	G1.1/2"	320	✓	✓	✓	✓	✓	✓
8T03000	3	230	G1.1/2"	320	✓	✓	✓	✓	✓	✓
8T04000	4	400	G1.1/2"	400	✓	✓	✓	✓	✓	✓
8T05000	5	400	G1.1/2"	500	✗	✗	✓	✓	✓	✓
8T06000	6	400	G1.1/2"	600	✗	✗	✗	✓	✓	✓

Example of installation

BSP



Illustrative diagram; always refer to a qualified technician for the realization of the systems.

Ver. date 10/10/2023