

LipuMobil-P

Product information for the product group

ACO Product benefits

- Suitable for flow rates up to 0.8 l/s
- Optional set of wheels for transportation
- Optional extraction valve for tank discharge

- Applications:
 - Mobile snack bars
 - Mobile dishwashers
 - Occasional meal preparation
- For free-standing installation in frost-proof areas, odour-proof sealed, with removable cover and fastening ring
- Inlet and outlet DN 50 (OD 50 mm) for connection with fitting pipe systems
- Total volume: 48 liters
- Grease storage volume: 15 liters
- Sludge storage volume: 16 liters
- Optionally with grease storage tank from PE, mounted at the separator, with discharge pump, volume 10 liters
- German approval Z-54.6-546 (valid only in Germany)
- Type test report for flow rate (NS): 60143586-001
- Suitable for flow rates up to 0.8 l/s



Item Technical Data 3700.04.00

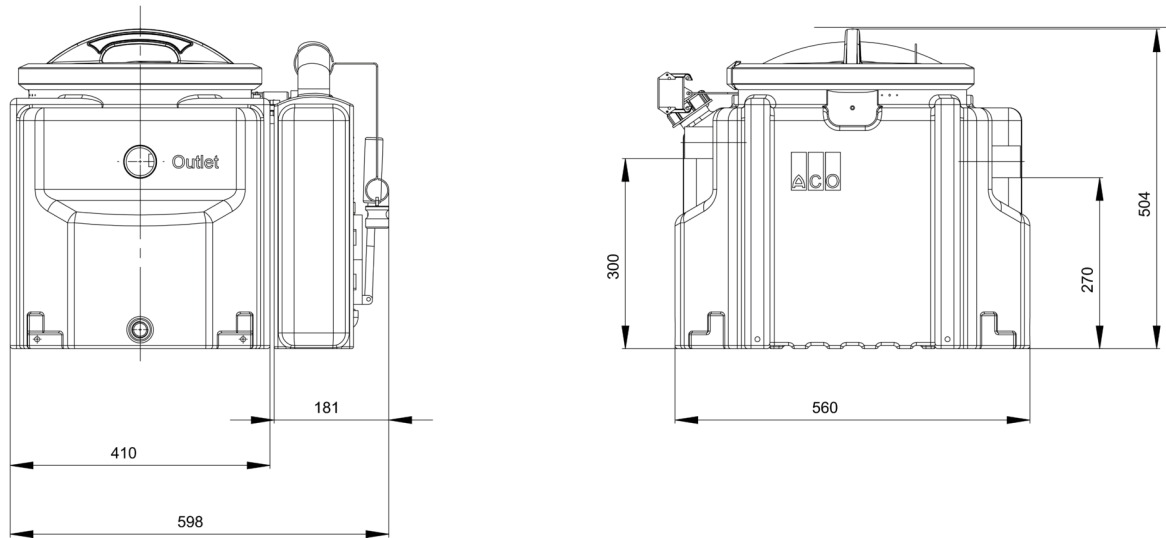
Nominal width	Contents			Product version	Weight	
	Sludge trap	Grease store	Overall		Empty	Full
	[l]	[l]	[l]		[kg]	[kg]

Without grease storage tank







DN 50	16	15	48	Without grease storage tank	8	60	11
-------	----	----	----	-----------------------------	---	----	----

Dimensions



Accessories

Description	Used with	Weight [kg]	Item number
 <p>Inlet valve DN 50</p> <ul style="list-style-type: none"> ■ Made of PVC ■ DN 50 ■ With sealing ring as per DIN EN 19538 	<ul style="list-style-type: none"> ■ LipuMobil-P 0,8 ■ Multi-Mini 	0.4	0175.18.33
 <p>Set of wheel</p> <p>Set of wheel, consisting of four wheel, two of them with fastener for tank fixation</p>	<ul style="list-style-type: none"> ■ LipuMobil-P 0,8 		3700.04.30
 <p>Extraction valve</p> <ul style="list-style-type: none"> ■ Extraction valve of plastics for tank discharge 	<ul style="list-style-type: none"> ■ LipuMobil-P 0,8 		3700.04.40
 <p>Replacement drum</p> <ul style="list-style-type: none"> ■ Drum <ul style="list-style-type: none"> □ Volume: 60 l ■ With lid and tension ring ■ Height: approx. 630 mm ■ Diameter: approx. 380 mm 	<ul style="list-style-type: none"> ■ Grease separators Lipator-P/Lipator-S ■ LipuMobil-P 0,8 	5.0	7600.00.15

You can find further accessories under → <https://www.buildingdrainage.aco/search/?q=3700.04.00>