



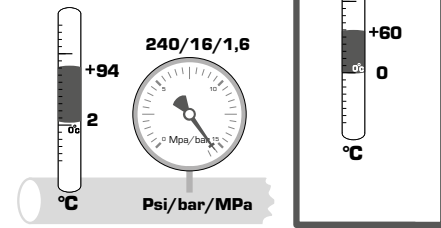
**SERIES ZRS200**



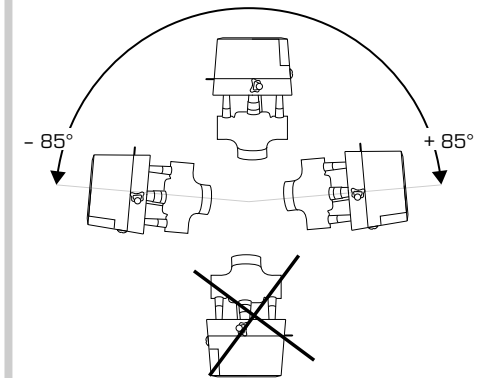
Series ZRS 22x  
Series ZRS 23x



LVD 2014/35/EU  
EMC 2014/30/EU  
RoHS3 2015/863/EU  
PED 2014/68/EU, article 4.3



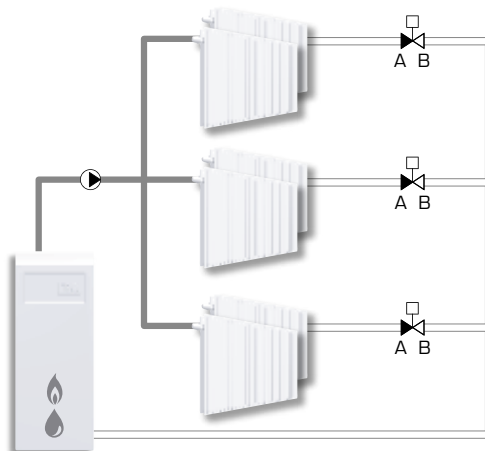
**1**



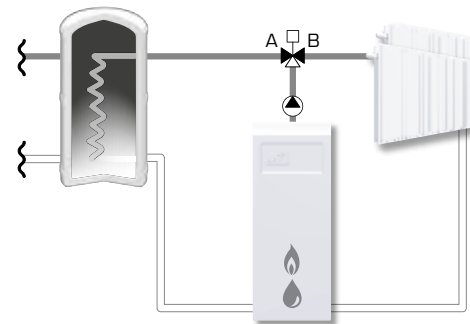
Mtrl.nr: 9814 0985 • Ritn.nr 9284 vers B • Rev 2021-10-26  
Printed in EU



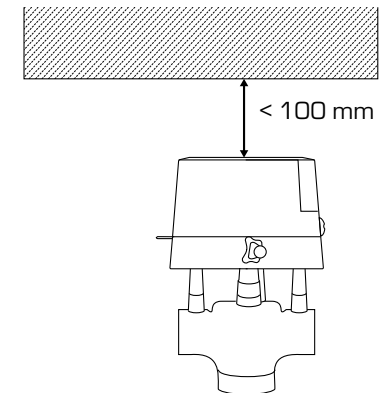
**Series ZRS 22x**



**Series ZRS 23x**



**2**

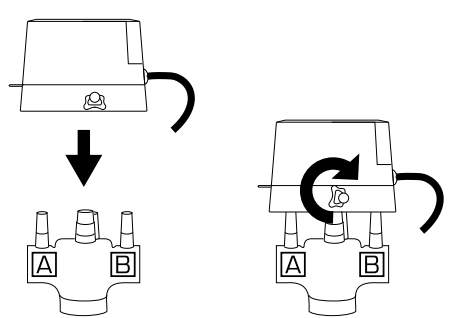
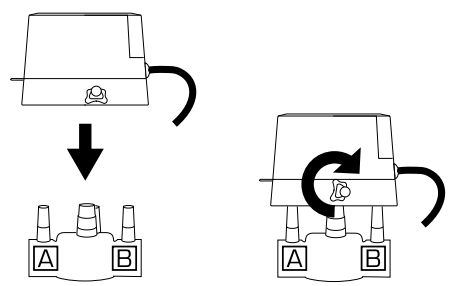
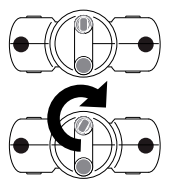
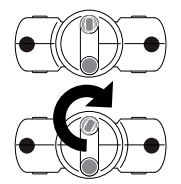


*Piping Schematics are General Representations*

**3**

Series ZRS 22x

Series ZRS 23x

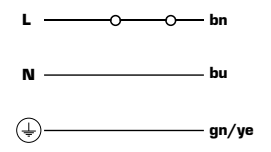
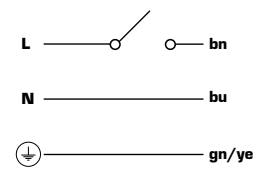
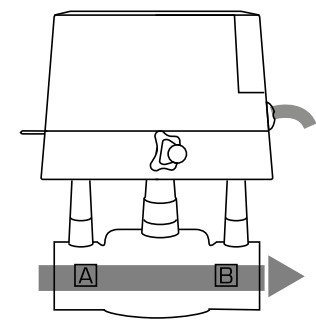
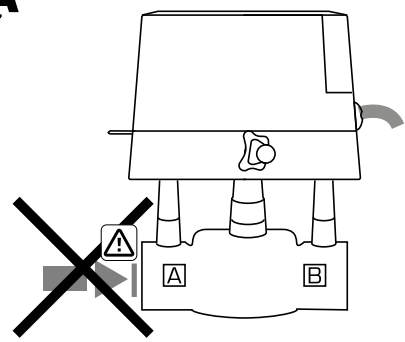


**4A**

Series ZRS 22x

**4B**

Series ZRS 22x

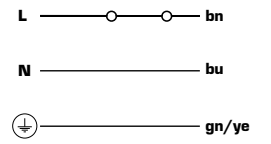
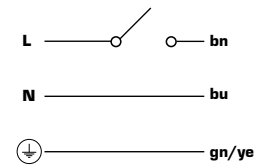
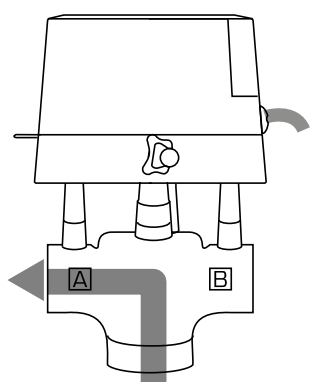
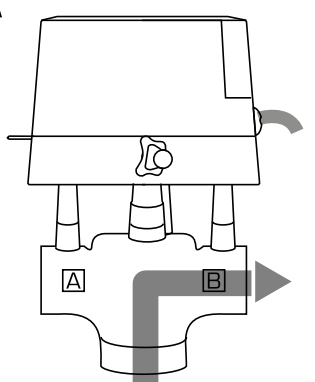


**5A**

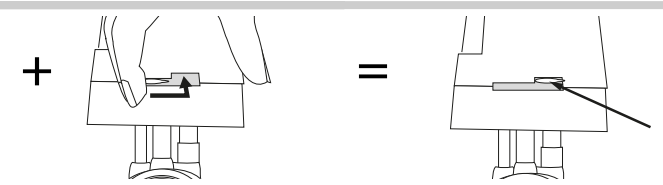
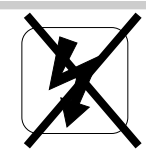
Series ZRS 23x

**5B**

Series ZRS 23x



**i**

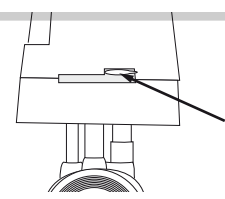
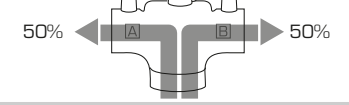


Series ZRS 22x

Series ZRS 23x



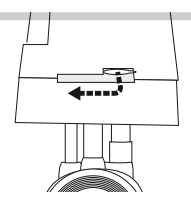
Manual mode =



+



=



Series ZRS 22x

Series ZRS 23x



Auto mode =

**4A/4B**

**5A/5B**