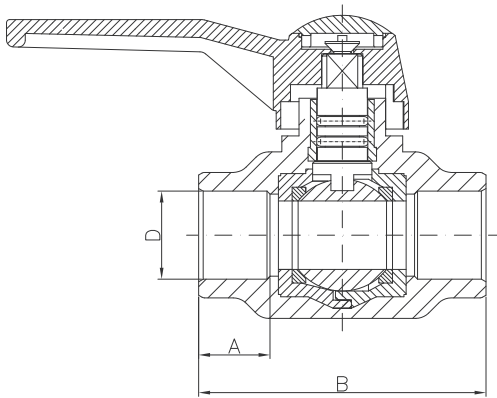




Ball valve dimensions



D mm	A mm	B mm	g	quantity in package	Kg
20	14,5	63,0	103	30	3,09
25	16,0	67,0	106	30	3.18
32	18,1	76,5	163	30	4.89
40	20,5	97,0	254	10	2.54
50	23,5	120,00	986	5	4.93
63	27,4	138,00	1360	5	6.80

Signed by:
Sergejs Musesovs
General Director

