



### ※ Electric pumps for industrial use



#### PERFORMANCE RANGE

- Flow rate up to **50 l/min** (3.0 m<sup>3</sup>/h)
- Head up to **95 m**

#### INSTALLATION AND USE

Designed for pumping diesel/naphtha and **clean water** free from abrasive particles and non-corrosive liquids that do not harm the pump's components.

Their hydraulic characteristics, compactness, and small size make them ideal for industrial applications such as chillers, air conditioners, coolers, and boiler feed systems.

#### PUMP BODY

The **pump body** is made of **CW617N brass**, which guarantees protection against rust and oxidation.

#### APPLICATION LIMITS

- Manometric suction head up to **8 m**
- Liquid temperature between **-10 °C** and **+90 °C**
- Ambient temperature between **-10 °C** and **+40 °C**
- Maximum working pressure **10 bar**

#### AVAILABLE UPON REQUEST

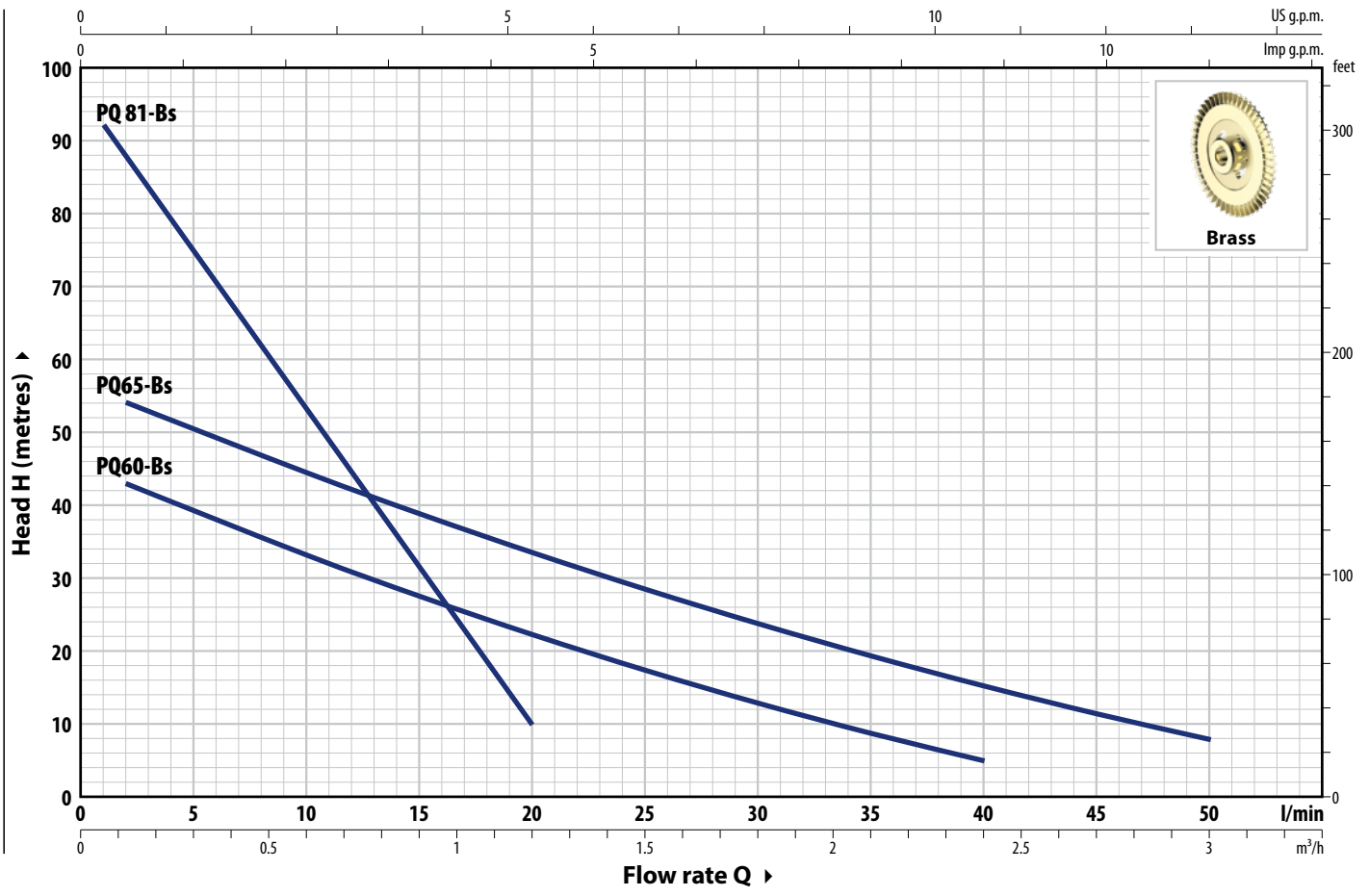
- ※ Mechanical seal options available
- ※ Protection rating IP 55 (only for PQ81-Bs and PQ65-Bs)
- ※ Different voltage requirements 60 Hz frequency

#### PATENTS - TRADE MARKS - MODELS

- Motor bracket: Patent No. IT1243605
- Community Model No. 009068877-0001

**CURVES AND PERFORMANCE DATA – HS=0 m**

**50 Hz**



TYPE		POWER (P <sub>2</sub> )		1~	3~	Q	Flow rate															
Single-ph.	Three-ph.	kW	HP				0	0.06	0.12	0.3	0.6	0.9	1.2	1.5	1.8	2.1	2.4	2.7	3.0			
						l/min	0	1	2	5	10	15	20	25	30	35	40	45	50			
PQm 60-Bs	PQ 60-Bs	0.30	0.40				45.5	–	43	39	33	27.5	22.3	17.4	12.9	8.8	5					
※ PQm 65-Bs	PQ 65-Bs	0.55	0.75	IE2	IE3	H metres	56.5	–	54	50	44.5	39	33.5	28.5	23.8	19.4	15.3	11.5	8			
PQm 81-Bs	PQ 81-Bs	0.55	0.75				95	92	87.5	75	53	31.5	10									

Q = Flow rate H = Total manometric head HS = Suction height

Performance curves comply with EN ISO 9906 Grade 3B tolerance limits.

**ABSORPTION**

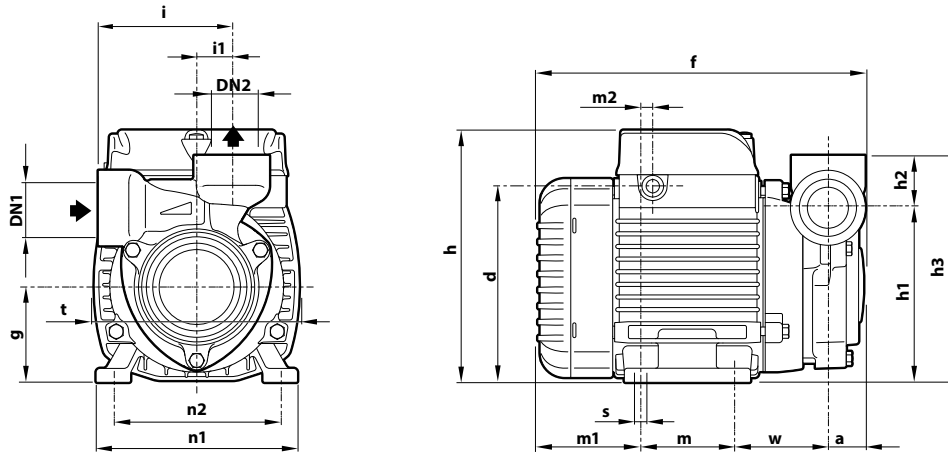
TYPE	VOLTAGE
<b>Single-phase</b>	<b>230 V</b>
PQm 60-Bs	2.3 A
PQm 65-Bs	3.7 A
PQm 81-Bs	3.5 A

TYPE	VOLTAGE	
<b>Three-phase</b>	<b>230 V - Δ</b>	<b>400 V - 人</b>
PQ 60-Bs	2.0 A	1.15 A
PQ 65-Bs	2.9 A	1.7 A
PQ 81-Bs	2.4 A	1.4 A

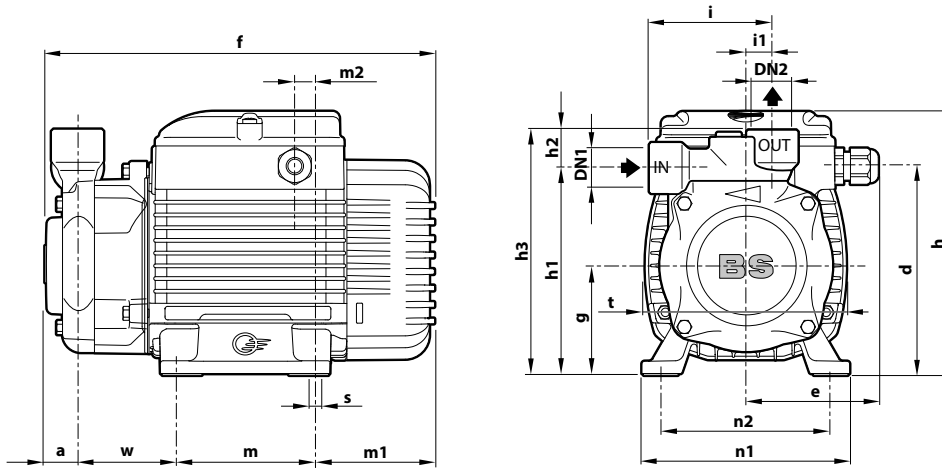
# PQ-Bs

## DIMENSIONS AND WEIGHT

### PQ 60-Bs



### PQ 65-Bs – PQ 81-Bs



TYPE		PORTS		DIMENSIONS mm																	kg				
Single-ph.	Three-ph.	DN1	DN2	a	d	e	f	g	h	h1	h2	h3	i	i1	m	m1	m2	n1	n2	t	w	s	1~	3~	
PQm 60-Bs	PQ 60-Bs	3/4"	3/4"	21.5	112	-	192	56	145.5	101		131			55	62	8	116		118			5.0	5.0	
PQm 65-Bs	PQ 65-Bs			24			226				108		30		76	20					100		53.5	7	7.0
PQm 81-Bs	PQ 81-Bs	1/2"	1/2"	18	119.5	76.5		63	153						80	69	8.5	120		117		55		6.9	6.9

## PALLET CAPACITY

TYPE		NO. OF PUMPS
Single-ph.	Three-ph.	
PQm 60-Bs	PQ 60-Bs	238
PQm 65-Bs	PQ 65-Bs	216
PQm 81-Bs	PQ 81-Bs	160

## CONSTRUCTION FEATURES

<b>1 Pump body</b>	Brass with ISO 228/1 threaded ports	
<b>2 Motor bracket</b>	Aluminium with brass cover with anti-lock front shim function (patented)	
<b>3 Impeller</b>	Brass, radial peripheral vane type	
<b>4 Mechanical seal</b>	Type	Materials
	<b>ST1-12</b>	Silicon carbide / Graphite / NBR
<b>5 Motor shaft</b>	Stainless steel <b>AISI 431</b>	
<b>6 Electric motor</b>	<p><b>PQm-Bs:</b> single-phase 230 V - 50 Hz with winding integrated thermal motor protection</p> <p><b>PQ-Bs:</b> three-phase 230/40 V - 50 Hz</p> <p>※ Pumps are equipped with high-efficiency motors (IEC 60034-30-1)</p> <p>class <b>IE2</b> for single-phase models</p> <p>class <b>IE3</b> for three-phase models</p> <ul style="list-style-type: none"> <li>– Continuous running duty <b>S1</b></li> <li>– Insulation: class F</li> <li>– Protection rating: IP X4</li> </ul>	

