

Daudzums | **Apraksts**

1

SCALA1 3-35Produkta Nr.: [99530404](#)

The Grundfos SCALA1 is a self-priming, multistage pump, that incorporates all the components of a pressure booster into a compact composite enclosure.

As it is self-priming, the SCALA1 can pump water from a level below the pump. Provided it is filled with water, the pump can lift water from a depth of 8 m in less than 5 minutes. This facilitates easy installation and start-up of the pump and provides more reliable water supply in installations where there is a risk of dry running and leakages in suction hose or pipes.

SCALA1 can communicate with Grundfos GO app via built in Bluetooth, which enables detailed pump monitoring and high customization options, making this pump a good fit for every application.

SCALA1 incorporates advanced protection features such as:

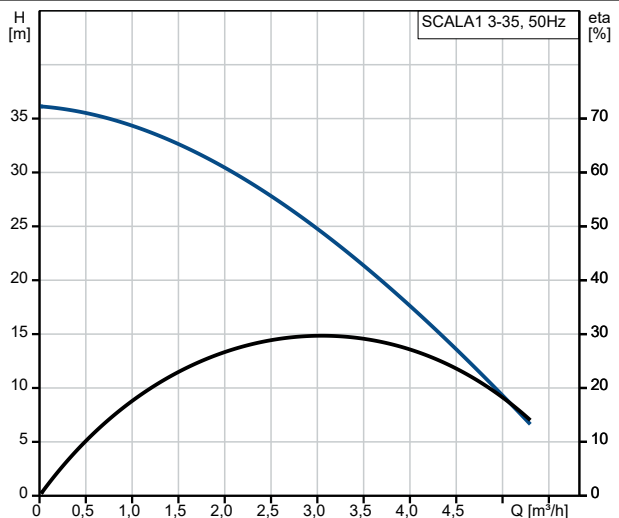
- Dry running protection that will automatically stop the pump in case of water shortage
- Cycling protection which will prevent pump starting frequently in case of minor leakages in installation
- Max runtime protection can stop the pump after a desired period of continuous operation, preventing potential damage due flooding in case of pipe breakages.

The pump has a built-in motor protection that will stop the pump if exposed to excessive temperature due to high ambient temperature, in case of seizure or overload, thus preventing a motor burnout.

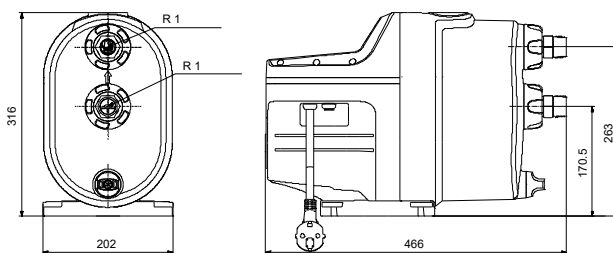
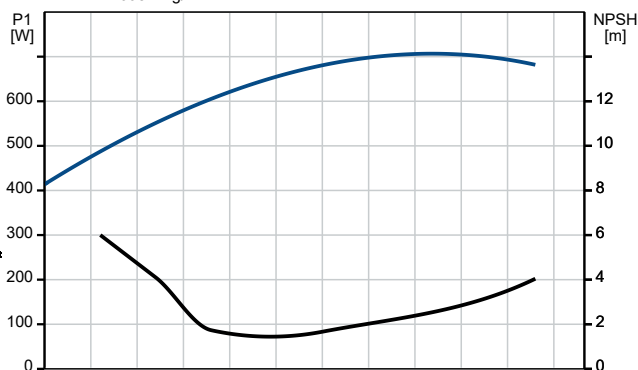
With Grundfos GO you can easily setup SCALA1 as a Twin booster system, operating as duty/stand by as well as duty/assist. It is also possible to add external input control and schedule a pump operation via calendar function.

SCALA1 require no maintenance, but it is recommended to keep the pump clean, check the non-return valves and keep the ventilation holes free of dust.

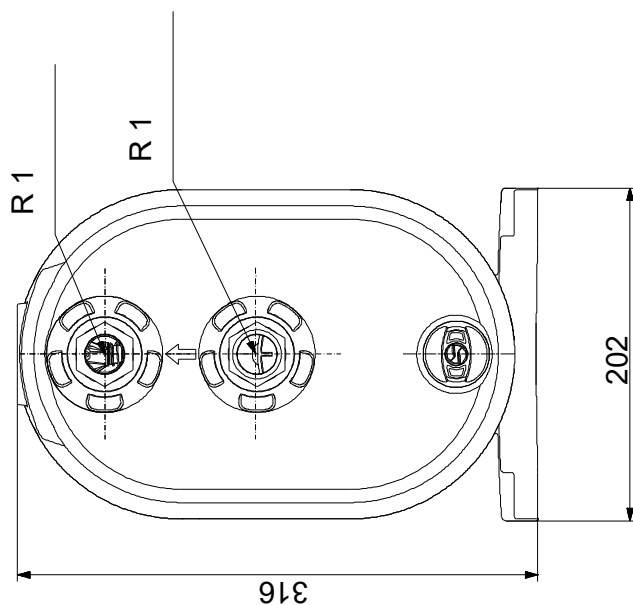
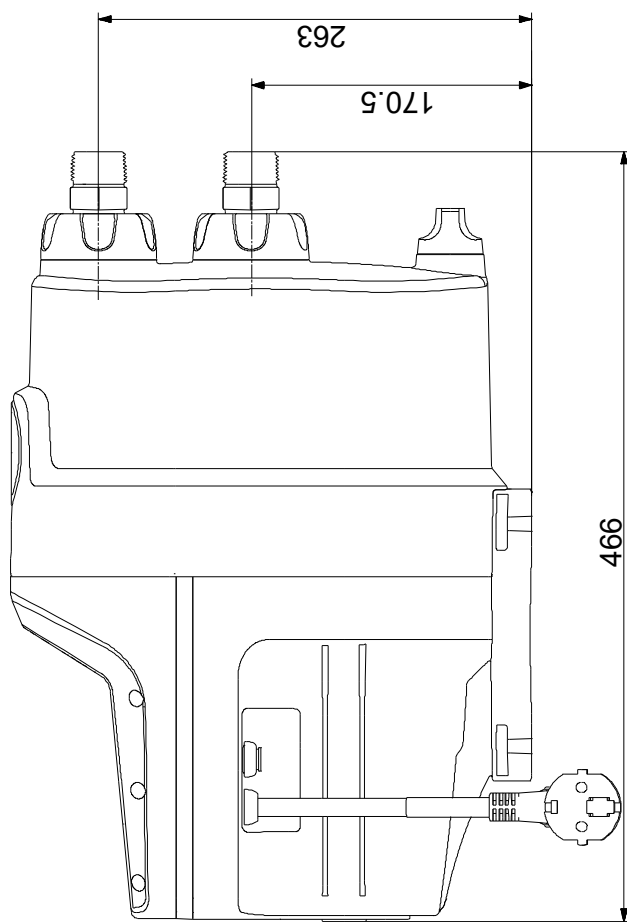
Apraksts	Vērtība
Vispārējā informācija:	
Produkta nosaukums:	SCALA1 3-35
Produkta Nr.:	99530404
EAN numurs:	5713830591581
Tehn.:	
Nominālā plūsma:	3.72 m ³ /h
Nominālais spiedienaugstums:	20 m
Maksimālais spiedienaugstums:	36 m
Vārpstas blīv. kods. 1: Tips 2: rot. blīv. virsma 3: nekust. ligzda 4: pap.blīv.:	BVBP
Apstiprinājumi:	CE,EAC,AAA
Approvals for drinking water:	WRAS,ACS
Līknes tolerance:	ISO9906:2012 3B
Modelis:	A
Ieslēgšanas spiediens:	1.5 bāri
Materiāli:	
Sūkņa korpuss:	Composite
Darbrats:	Composite
Uzstādīšana:	
Apkārtējās vides temperatūras diapazons:	0 .. 55 °C
Maksimālais darba spiediens:	8 bāri
Maximum permissible inlet pressure:	4 bāri
Type of inlet connection:	R
Type of outlet connection:	R
Ieplūdes kanāla izmērs:	1 inch
Izplūdes kanāla izmērs:	1 inch
Pressure rating for connection:	PN 8
Šķidrums:	
Sūknējamais šķidrums:	Ūdens
Šķidruma temperatūras diapazons:	0 .. 45 °C
Izvēlēta šķidruma temperatūra:	20 °C
Blīvums pie izvēlētas šķidruma temperatūras:	998.2 kg/m ³
Elektriskie dati:	
P1 maks.:	750 W
Rated power - P2:	0.45 kW
Tīkla frekvence:	50 Hz
Nominālais spriegums:	1 x 230 V
Nominālā strāva:	3.25 A
Korpasa klase (IEC 34-5):	X4D
Insulation class (IEC 85):	F
Length of power cable:	1.5 m
Barošanas spraudnis:	Type E/F (CEE7/7)
Power plug:	Schuko spraudnis
Cīti:	
Neto svars:	11.5 kg
Bruto svars:	13.5 kg
Piegādes apjoms:	0.046 m ³
Uzglabāšanas temperatūras diapazons:	-40 .. 70 °C
Swedish RSK No.:	5855730
Finnish LVI No.:	4732547
Izcelsmes valsts:	HU
Muitas tarīfa Nr.:	84137075



Sūknējamais šķidrums = Ūdens
 Šķidruma temperatūra darba laikā = 20 °C
 Blīvums = 998.2 kg/m³



99530404 SCALA1 3-35 50 Hz



Piezīme! Visas mērvienības ir milimetri [mm], ja nav norādīts citādi.
Atruna. Šajā vienkāršotajā izmēru rasējumā nav parādītas visas detaļas.